

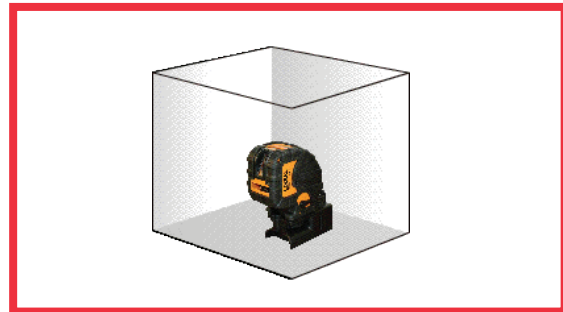
TRA672 DOT&LINE LASER(1V2H3D)

Line laser series product features as the self-leveling, simple operation, economic and practical, is used widely for indoor decoration, door & window and cabinet fitting, suspended ceiling, picture hanging and other professional & DIY market field. It provides the horizontal and vertical reference.

ARTICLE #	Model
900.672.013	TRA -672

▶ Product Features

- Switch between 3 laser lines and 3 laser dots
- Form front and up 2 cross laser lines
- Self-leveling, warning when beyond self-leveling range
- With attachable, bindable and rotatable special bracket



▶ Specifications

- Laser wavelength :635nm
- Laser class: ClassII
- Accuracy: $\pm 0.3\text{mm/m}$
- Self-leveling range: $\pm 3^\circ$
- Power:3*AA battery
- Size: 5 1/4"x 2 7/16"x 4 13/16"(134x62x122mm)
- Weight: 1.54lbs.(0.7Kg)



▶ Basic kit

TRA672 main unit, TRA306 glass, TRA307 target, 3*AA battery, special bracket, 4# hard carrying case

▶ Applications

